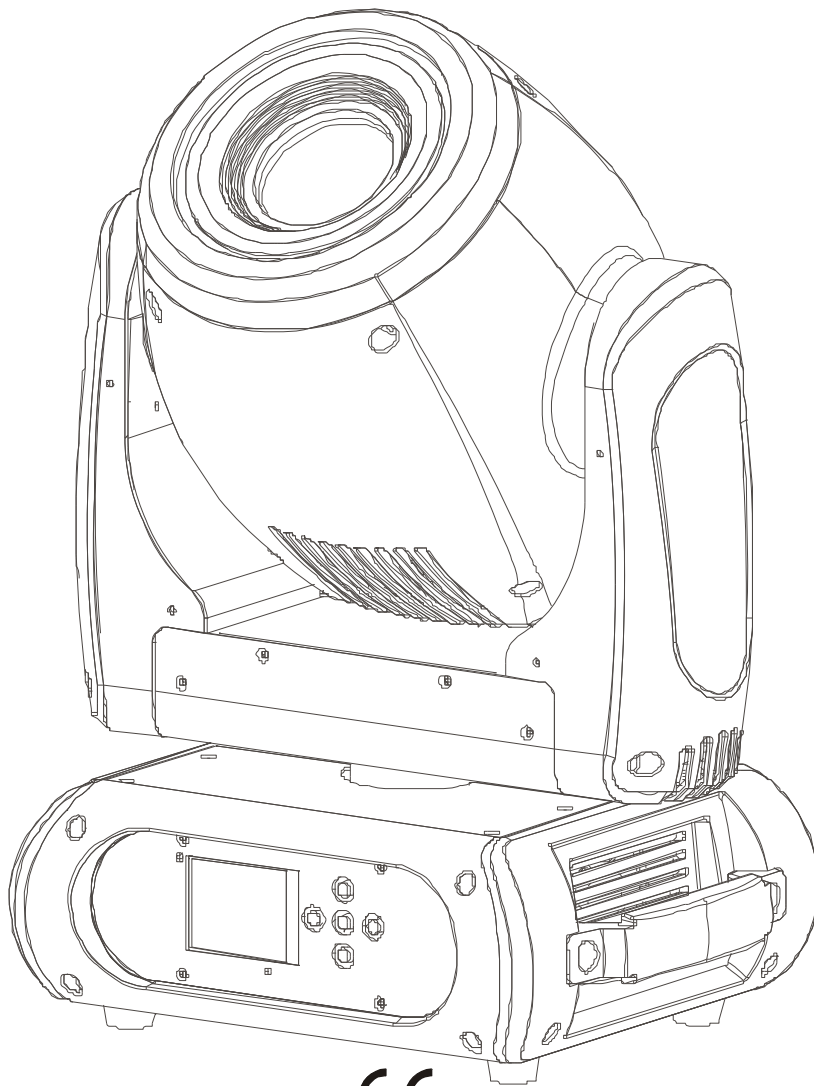


# ***BSL IMPACT SPOT 180LED***

## **USERS GUIDE**



**CE**

## 1. Product Introduction:

1.1 Before unpack the fixture, pls make sure that the packing is in good condition, following items will be found in the box:

- The fixture
- This users guide
- 3m DMX cable
- 1.5m power cable with powercon
- Omega bracket for hanging installation
- Safety chain

### 1.2 Specification

#### Source

- Light source: 180W White LED Source
- Led life: 60.000 hours
- Luminous Flux: 8450lumen, 22460lux@2.5m
- Control: Remote on/off via DMX
- Ballast: switching mode power supply

#### Optical System

- Beam angle: 13°

#### X/Y

- Pan: 630(4.0 sec) or 540°(3.58 sec), Tilt: 265° (2.8 sec)
- 16-bit resolution
- Auto repositioning

#### Colors

- 8+open, interchangeable, indexable and bidirectional rainbow effect
- New color bounce effect

#### Gobos

- Outside  $\varnothing$  27mm, inside  $\varnothing$  22mm
- 7+ open custom interchangeable position for rotating gobo wheel
- 7+ open fixed gobos
- Real indexable and gobo shaking
- Distinctive gobo animation effect

#### Features

- DMX channels: 21/24/14/16
- Color wheel: 8+1 colors
- Fixed gobo wheel: 7+1 gobos
- Rotating gobo wheel: 7+1 gobos
- Motorized and auto focus
- Full range 0-100% dimmer
- Various strobe
- Rotating Effect wheel with 3 facets,8 facets prism and frost
- Iris
- RDM function to change DMX address, display flip, X/Y Reverse and so on
- Software upgrade via DMX
- Hibernation when lost DMX for preset time
- Indicate temperature info of base, arm and lamp

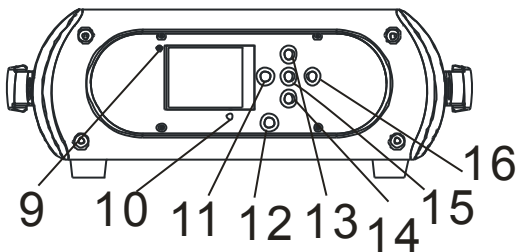
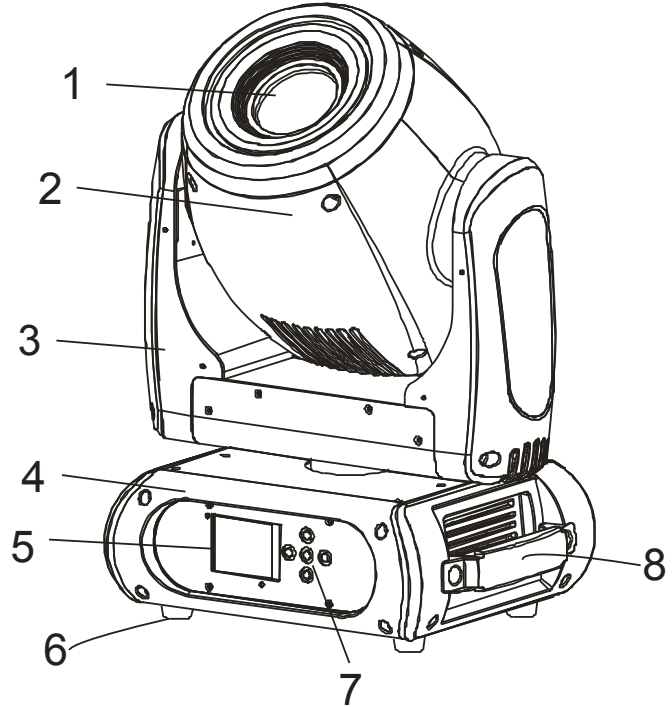
- Fan speed auto change according to temperature

Display

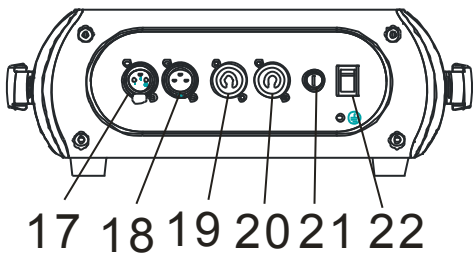
- 2.4inch super nice LCD display with friendly English/ Chinese/French/Spanish menu
- Auto lock
- Flip
- Back-up communicating IC

1.3 Description of the Device

1. Project lens
2. Head
3. Arm
4. Base
5. Display
6. Foot stand
7. Operation button
8. Handle



9. Wireless indicator
10. Mic
11. Left button
12. Battery indicator
13. Up button
14. Down button
15. Enter button
16. Right button



17. 3-pin DMX in
18. 3-pin DMX out
19. Powercon in
20. Powercon out
21. Fuse
22. Power switch















### 1.4 Colors and Gobos

	1	Open	
	2		Magenta
	3		Orange
	4		Sky blue
	5		Pink
	6		Yellow
	7		Green
	8		Blue
	9		Red

<p>Static gobo wheel</p>	<p>Rotating gobo wheel (slot-in-out gobos)</p>

## 2. Safety and maintenance Information

### 2.1 Safety Info

	Before operate this unit, please carefully read this users guide and keep if needed in future. It's necessary to respect following rules.
	The disposal of the device after lifecycle could damage the environment, need to take it to special company for recycling or return to authorized dealer.
	The products referred to in this manual conform to the European Community Directives and are therefore marked with CE logo.
	Keep this device away from children and unauthorized users, the manufacturer will not take responsibility for the damage due to any disregard of the information provided in this manual and wrong operation.
	Before operate the device, pls make sure the fixture is in good housing, ensure pan and tilt can rotate in its complete range.
	Pls make sure minimal 0.5m distance need to kept between the fixture to any flammable material.
	The device can only run with 100-240v voltage, 50/60Hz power, don't connect to any other wrong power. Disconnect the device from main power before open the shield or maintenance.
	The device is designed only for indoor usage, pls keep it away from moisture. Do not expose the device under the sun or directly to any other lighting source.
	Never look directly into the projecting lens when the fixture is power on, the light may trigger epileptic seizures in photosensitive persons or persons with epilepsy. Especially at beam effect, extreme caution and observance of these safety instructions is mandatory.
	Don't put or install the device on a surface that subject to vibration or bumps.
<b>Ta=45°C</b>	The device is supposed to work in the temperate range -15° C and +45° C, do not use the device when the temperate exceed this range.
	The lens, shield need to be replaced when obviously broken, never use the device when the shield is not completed closed.
	Safety I class device, need to be earth connected.
	When the fixture is hanged overhead, the safety rope must be fixed to the bottom of the device to the appropriate fixing point.
	Always carry the device by the handles, do not take the head or arm directly for transportation.

### 2.2 Maintenance

2.2.1 Operation only allowed to qualified person, damages due to unprofessional operation or remove of any parts inside will not be considered in warranty service. There are no serviceable parts inside the device or package, service only leaves to authorized dealers.

2.2.3 Never allow the optical components contact with oil, fat or any other liquid.

2.2.4 A regular clearance of the device is needed for long-term usage, this is very helpful to maintain the lifetime and brightness need to use a soft and lint-free cloth to clean the optical system, fan and air flowing tunnel.

### 2.2.5. Trouble Shooting

Problems	Possible reasons	Checking or solutions
Device not power up	Powercon or power cable damaged Faulty power supply	Change a good power cable to try Replace new power supply
Pan/Tilt error or vibrate	Faulty Pan/Tilt PCB Faulty opto sensor Cable loosen	Replace PT001 PCB Replace opto sensor OP001 Check the cable connect to OP001
LED off	Temperature protection Fan not working Faulty LED Dimmer and strobe set at 0 Faulty power supply	Check the temperature from menu Check the fan speed info from menu Replace new LED Set dimmer and strobe channel at 255 Replace new power supply
Device not response to DMX	Faulty communication IC Faulty display PCB Wrong DMX addressing Faulty DMX cable	Replace the IC with back-up one in the display PCB Replace new display PCB Check the address and setting Change to a good DMX cable

### 2.2.6 Replacement of the fuse

Need to replace with same type and rating, which originally installed in the device.

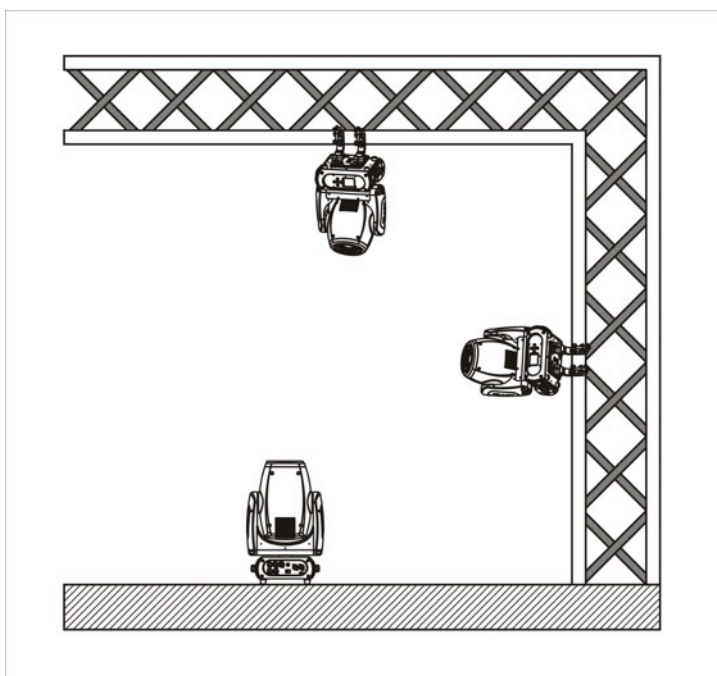
Step One: Unplug power cable from main power.

Step Two: Unscrew the fuse holder out of the housing with a screwdriver.

Step Three: Remove the broken fuse and replace with an exact same type of new fuse.

Step Four: Insert the fuse holder back to the housing and screw tight and reconnect power.

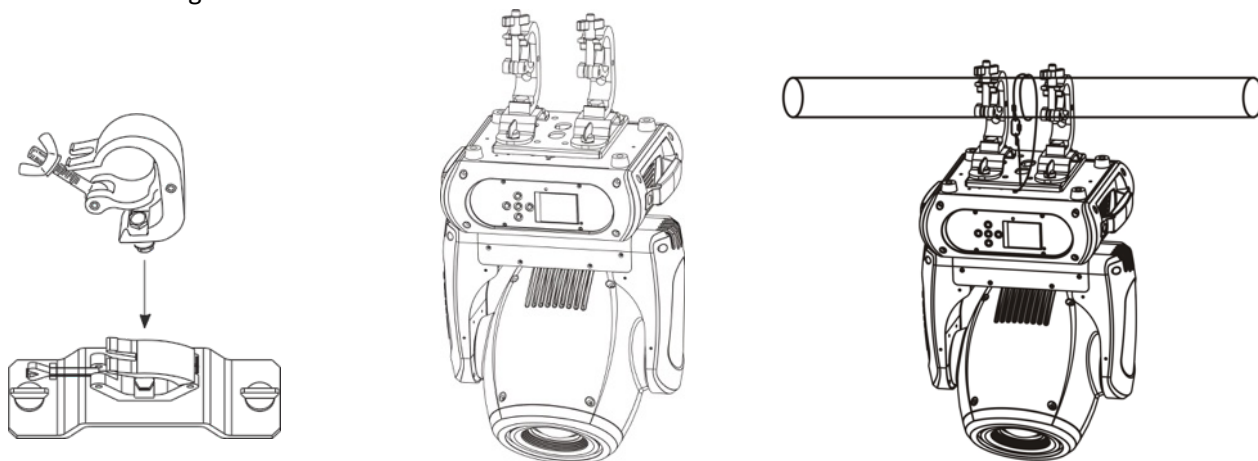
## 3. Installation



3.1 The device could be either put on a solid and even surface, or mounted upside down or sideways like left picture.

3.2 The mounting place must be sufficient stable and be able to support a weight of 10 times of the unit's weight. When the fixture is hanged, always additionally secure the device with the safety chain, fasten the safety rope at a suitable position so that the maximum fall of the projector will be 20 cm

### 3.3 How to do mounting installation.



Step one: Installation the clamp onto the omega bracket;

Step two: Install the clamp and bracket on the bottom of panel, fasten the quick-locks;

Step three: Install the whole device onto appropriate truss and fasten the clamps, tight the safety rope with the truss or other fixing point at a suitable position that drop down distance not exceed 20 cm.

## 4. Control menu

### 4.1 Meaning of the icon in menu

CONNECT	LIGHT	INFOMATION	SET	PROGRAM

### 4.2 Menu tree

Default setting shadowed. Mark with ① can be basic reloaded, ② be program reloaded, ③ can be private reloaded.

CONNECT	DMX Address①	XXX	DMX address setting
	Wireless①		Wireless Enabled
LIGHT	Max Temperature①	80~139②, 80② /176~282□, 176□	Lamp off if temperature continuously over for 5 minutes
	Lamp Adjust①	PAN.....	Adjust value of each channels
INFORMATION	Time Info.	Current XXXX(Hours) Fixture Life XXXX(Hours)	Fixture boot time Fixture total run time
	Temperature	Near Lamp Temp (depends on fixture)	Temperature Sensors
	Fans Speed	Near Lamp Fan (depends on fixture)	Fan speed Sensors
	Channel Value	PAN.....	Display value of channel
	Error Message	Pan,Tilt.....	Error channels

	Fixture Model	xxxxxxxxxxxx	Display model brand and model	
	Software Ver	1U01 V1.0.00 :	Version of each IC	
SET	Reset	All Pan&Tilt Colors Gobos Others	Reset all Reset Pan&Tilt Reset Colors Reset Gobos Reset Others	
	Movement	Pan Reverse① Tilt Reverse① Pan Degree① Encoders① Pan/Tilt Mode①	ON/OFF ON/OFF 630/540 ON/OFF Stand/Smooth	Pan Reverse Tilt Reverse Choose Pan Degree Encoder wheel on/off Choose pan/tilt mode
	UI Set	Mic Sens. ③ No Signal① Temperature. C/F① Fans Mode① Hibernation① Backlight① Flip Display① Display Bright③ Brand Show① Key Lock① Language①	0~99%,60% Close/Hold/Auto/Music Fahrenheit/Celsius Auto Speed /High Speed OFF, 01M~99M, 15M 02~60m 02m ON/OFF 00~31 10 ON/OFF ON/OFF En/簡/繁/Fr/Sp	Sensitivity of Mic Mode when no signal Temperature at °C/°F Fans mode Sleeping mode Show backlight time Display 180° reverse Display Brightness Show brand or not Key lock on/off Language Select
	Users	User Mode①	Standard Extended Basic-8bit Basic-16bit User	Standard mode Extended mode Basic mode-8bit Basic mode-16bit User program mode
		Edit User③	Max Channel = XX PAN = CH01 :	Edit users mode
	Calibration③	-Password- Color :	=XXX =XXX :	Password: 050 Calibrate channel value
	Fixture ID③	Name -Password- PID Code		Name Password: 050 Set PID of RDM
	Wireless Set①	DMX On Cable Reset Connect	ON/OFF ON/OFF	DMX Send Out Reset Connect
	Reload Default	Basic Reload(①) Program Reload(②) ---Password--- Private Reload(③) All Reload	ON/OFF ON/OFF XXX ON/OFF ON/OFF	Basic Reload Program Reload Password: 050 Private Reload All Reload



PROGRAM	Play①	DMX Receive Slave Receive Sequence Music	Slave Receive 1,2,3 Master / Alone Master / Alone	DMX Receive Choose slave position Run Sequence Music mode
	Select Chase②	Chase Part 1 Chase Part 2 Chase Part 3	Chase 1 ~ 8 Chase 1 ~ 8 Chase 1 ~ 8	Chase 1 Chase 2 Chase 3
	Edit Chase②	Chase 1 : Chase 8	Chase Test Step 01 Step 64	=SCxxx =SCxxx
	Edit Scenes②	Edit Scene 001 ~ Edit Scene 250	Pan,Tilt,..... --Fade Time-- --Secne Time-- DMX Input	=xxx =xxx =xxx
	Scenes Record	ScXX=>ScXX		Auto Input scenes

## 5. DMX connection and DMX protocol

### 5.1 DMX addressing:

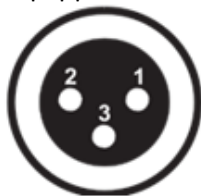
5.1.1 The device is controlled by universal DMX 512 protocol, DMX address is the start channel used to receive instructions from the external controller. For independent control, each fixture must be assigned its unique address control channels. For example, this device has four channel modes: 21/24/14/16, if we set the mode at standard 21 channels mode, and there are several models need to be independently controlled, we just simply address first fixture at 1, and second fixture at 22, third one at 43, etc.

If the devices have the same address, they will behave synchronically.

DMX addressing is limited, don't set the address so high that without enough control channels for the fixtures.

Display is flashing when no DMX signal is received.

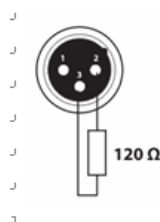
5.1.2 This device is equipped with 3-pins DMX in and out sockets only.



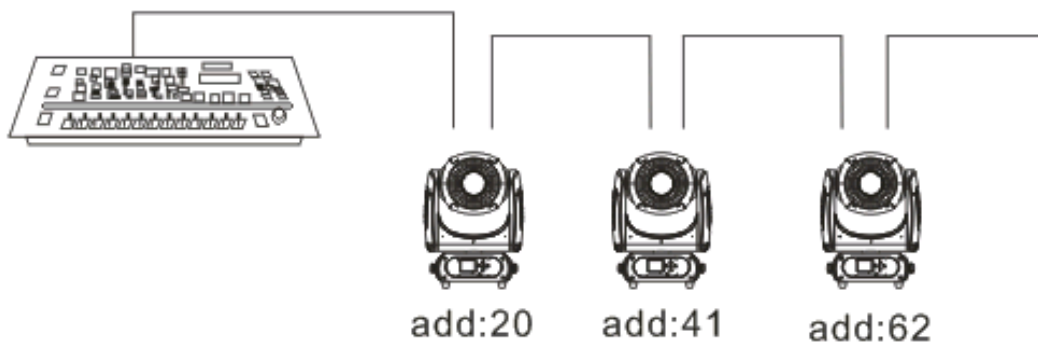
Pin 1 = GND  
Pin 2 = Signal (-)  
Pin 3 = Signal (+)



5.1.3 The termination is prepared by soldering a 120Ω resistor between pins 2 and 3.



5.1.4 Connection: us DMX cable with 3-pin XLR-plugs to connect the controller with the fixture or one fixture with another.



## 5.2 DMX chart

Channel				name	function	Min DMX	Max DMX
St	Ex	Ba1	Ba2				
1	1	1	1	Pan	Pan Coarse	0	255
	2		2	Pan fine	Pan Fine	0	255
2	3	2	3	Tilt	Tilt Coarse	0	255
	4		4	Tilt fine	Tilt Fine	0	255
3	5	3	5	Movement Speed	fastest to Slowest	0	255
	6			Movement Function	Normal	0	15
		Movement With Blackout	16		31		
		TBD	32		255		
4	7			Shutter Function	Normal Shutter Functions	0	15
		Pulse-effect Forward	16		31		
		Pulse-effect Reverse	32		47		
		Random Strobe	48		63		
		TBD	64		255		
5	8			Shutter	<b>Normal Shutter Functions</b>		
		Close	0		31		
		Strobe Rate (slow to fast)	32		223		
		Open	224		255		
		<b>Pulse-effect Forward</b>					
		Close	0		31		
		Strobe Rate (slow to fast)	32		223		
		Open	224		255		
		<b>Pulse-effect Reverse</b>					
		Close	0		31		
		Strobe Rate (slow to fast)	32		223		
		Open	224		255		
		<b>Random Strobe</b>					
Close	0	31					

					Strobe Rate (slow to fast)	32	223
					Open	224	255
		4	6	Shutter	Shutter closed	0	31
					No function (shutter open)	32	63
					Strobe effect slow to fast	64	95
					No function (shutter open)	96	127
					Pulse-effect in sequences	128	159
					No function (shutter open)	160	191
					Random strobe effect slow to fast	192	223
					No function (shutter open)	224	255
6	9	5	7	Dimmer	Dimmer(Close to Open)	0	255
7	10			Color Function	Indexed	0	15
					Indexed With Blackout	16	31
					Forward Spin	32	47
					Reverse Spin	48	63
					Continuous	64	79
					Color Bounce	80	111
					TBD	112	255
8	11			Color	Indexed & Indexed With BlackOut &Color Bounce		
					Position 1 (Open)	0	13
					Position 2 ~ Position 18	14	255
					Forward Spin		
					Stop to fastest	0	255
					Reverse Spin		
					Stop to fastest	0	255
					Continuous		
Positioning from 0-360 degrees	0	255					
		6	8	Color	Indexed		
					Position 1 (Open)	0	2
					Position 2 ~ Position 18	3	53
					Indexed With Blackout		
					Position 1 (Open)	54	56
					Position 2 ~ Position 18	57	106
					Indexed With Bounce		
					Position 1	107	119
					Position 2 ~ Position 9	120	223
					Forward Wheel Spin		
					Stop to fastest	224	239
					Reverse Wheel Spin		
Stop to fastest	240	255					
9	12			Rot Gobo Function	Indexed	0	15
					Indexed With Blackout	16	31
					Forward Spin	32	47
					Reverse Spin	48	63
					Continuous	64	79
					Shake	80	95

					TBD	96	255
10	13			Rot Gobo	Indexed & Indexed With Blackout&Shake		
					Position 1 (Open)	0	31
					Position 2 ~ Position 8	32	255
					Forward Wheel Spin		
					Stop to fastest	0	255
					Reverse Wheel Spin		
					Stop to fastest	0	255
					Continuous		
					Positioning from 0-360 degrees	0	255
		7	9	Rot Gobo	Indexed		
					Position 1 (Open)	0	5
					Position 2 ~ Position 8	6	47
					Indexed With Blackout		
					Position 1 (Open)	48	53
					Position 2 ~ Position 8	54	97
					Indexed With Shake		
					Position 2	98	115
					Position 3 ~ Position 8	116	223
					Forward Wheel Spin		
					Stop to fastest	224	239
					Reverse Wheel Spin		
					Stop to fastest	240	255
11	14			Gobo Rot Function	Continuous	0	15
					Forward Spin	16	31
					Reverse Spin	32	47
					Forward Animate Rotate	48	63
					Forward Animate Rotate With Blackout	64	79
					Reverse Animate Rotate	80	95
					Reverse Animate Rotate With Blackout	96	111
					TBD	112	255
12	15			Gobo Rot	Continuous		
					Positioning from 0-360 degrees	0	255
					Forward Spin		
					Stop to fastest	0	255
					Reverse Spin		
					Stop to fastest	0	255
					Forward Animate Rotate & Forward Animate Rotate With Blackout		
					Stop to fastest	0	255
					Reverse Animate Rotate & Reverse Animate Rotate With Blackout		
					Stop to fastest	0	255
		8	10	Gobo Rot	Continuous		
					Positioning from 0-360 degrees	0	191
					Forward Animate Rotate		

					Stop to fastest	192	207
					Reverse Animate Rotate		
					Stop to fastest	208	223
					Forward Spin		
					Stop to fastest	224	239
					Reverse Spin		
					Stop to fastest	240	255
13	16			Gobo Function	Indexed	0	15
					Indexed With Blackout	16	31
					Forward Spin	32	47
					Reverse Spin	48	63
					Continuous	64	79
					Shake	80	95
					TBD	96	255
14	17			Fixed Gobo	Indexed & Indexed With Blackout&Shake		
					Position 1 (Open)	0	31
					Position 2 ~ Position 8	32	255
					Forward Wheel Spin		
					Stop to fastest	0	255
					Reverse Wheel Spin		
					Stop to fastest	0	255
					Continuous		
					Positioning from 0-360 degrees	0	255
		9	11	Fixed Gobo	Indexed		
					Position 1 (Open)	0	5
					Position 2 ~ Position 8	6	47
					Indexed With Blackout		
					Position 1 (Open)	48	53
					Position 2 ~ Position 8	54	97
					Indexed With Shake		
					Position 2	98	115
					Position 3 ~ Position 8	116	223
					Forward Wheel Spin		
					Stop to fastest	224	239
					Reverse Wheel Spin		
					Stop to fastest	240	255
15	18	10	12	Prism	Indexed & Indexed With Blackout		
					Position 1 (Open)	0	63
					Position 2	64	127
					Position 3	128	191
					Position 4	192	255
16	19	11	13	Prism Rot	Forward Spin		
					Stop to fastest	0	127
					Reverse Spin		
					Stop to fastest	128	255
17	20			Focus	Continuous	0	15

				Function	5m Auto Focus	16	31
					7.5m Auto Focus	32	47
					10m Auto Focus	48	63
					15m Auto Focus	64	95
					>20m Auto Focus	96	127
					TBD	128	255
18	21	12	14	Focus	Continuous		
					Focus In to Focus Out	0	255
					Auto Focus		
					Focus In to Focus Out Fine	0	255
19	22			Iris Function	Indexed	0	15
					Pulse opening With Forward Blackout	16	31
					Pulse opening With Reverse Blackout	32	47
					Pulse closing With Forward Blackout	48	63
					Pulse closing With Reverse Blackout	64	95
					TBD	96	255
20	23			Iris	Indexed		
					Max. diameter to Min.diameter	0	255
					Pulse opening & Pulse closing		
					Pulse Slow to Fast	0	255
		13	15	Iris	Indexed	0	191
					Pulse opening With Forward Blackout	192	207
					Pulse opening With Reverse Blackout	208	223
					Pulse closing With Forward Blackout	224	239
					Pulse closing With Reverse Blackout	240	255
21	24	14	16	Control	Normal	0	7
					Reset All	8	15
					Pan&Tilt Reset	16	23
					Color Reset	24	31
					Gobo Reset	32	39
					TBD	40	47
					Other Reset	48	55
					Display Off	56	63
					Display On	64	71
					TBD	72	79
					TBD	80	87
					Hibernation	88	95
					TBD	96	255

## 6. Unique Features

6.1 RDM, stand for "Remote Device Management", with this function, users can realize remote control of the device,

such as remotely changing DMX address, reverse pan/tilt setting, check a lot of useful information such as temperature, power consumption, fan speed. Etc. Every single device has a unique RDM code before left factory to distinguish from each other, usually not suggest users change this code freely.

6.2 Software upgrade function via DMX cable, if there is any new firmware for this device come out, it can be upgraded simply via a software upgrade box, no need to change any mechanical parts. The upgrade box is not included in the package, if need any further assistance pls just contact authorized dealers.

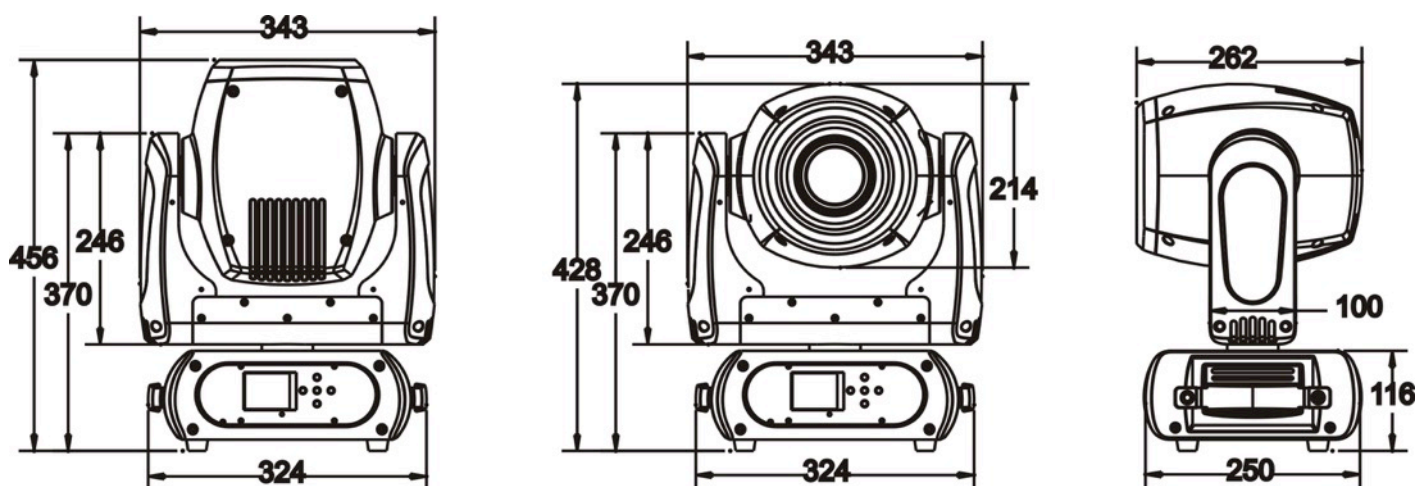
6.3 Hibernation, the device will enter sleeping mode if activated after a period of disconnecting DMX signal to save the power consumption, and will return immediately as soon as the DMX signal is sent again.

6.4 Display battery, this function is prepaid in the display PCB, users just need to install a normal 10440 600mAh 3.7V rechargeable lithium battery, then users could power on the display and do setting without connect to main power.

6.5 Display back-up communication IC, there is a back-up communication IC installed in the display PCB, so users could replace at once if the working one is broken, no need to wait long time from service.

6.6 Display flip, by press up and down button for more than 3 seconds, the display will flip automatically, this function is useful to read menu conveniently when device is hanged.

## 8. Dimensions Drawing



## 9. Technical specification

Power supply	100-240 V AC, 50/60 Hz ~
Power consumption	250W
LED	LumiEngin COB-2-1600M-W
DMX channels	21/24/14/16 modes
Beam angle	13°
Luminous flux	22460lux@2.5m
Fuse	T 3.15 A, 250 V
Device dimensions	343x262x456mm
Net Weight	15KG